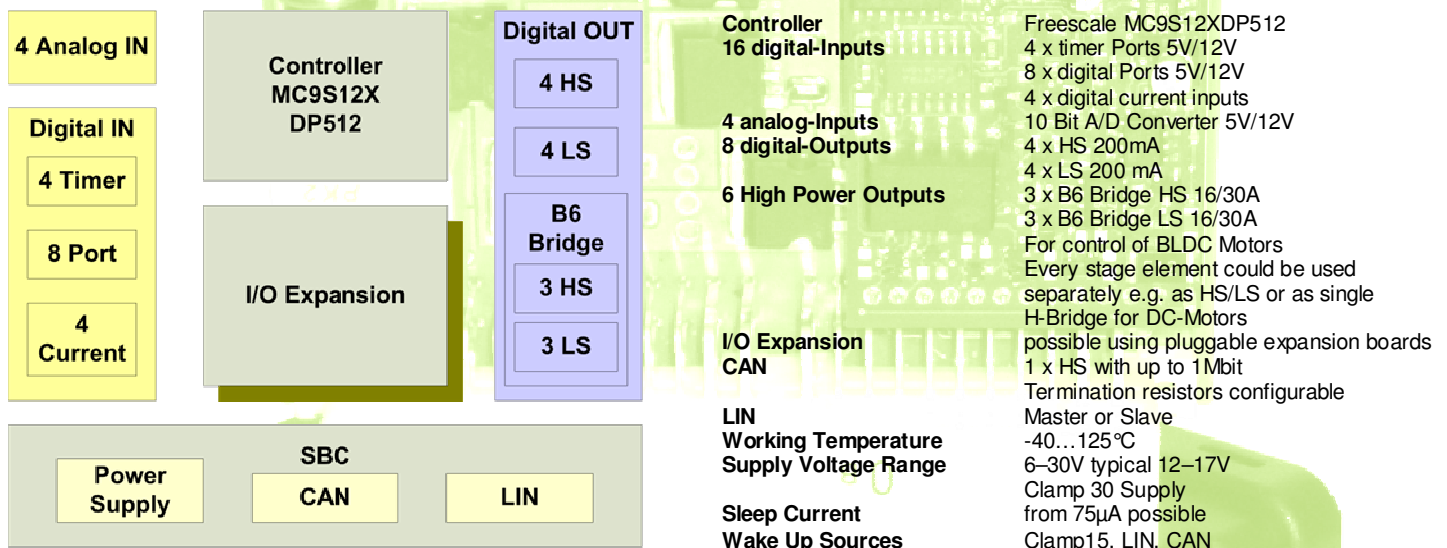


SAAM Sensor Acquisition and Actuator Module

The **Cosyst-SAAM** is a modular High Current Electronic Control Unit for small series or prototype applications.

The large selection of input ports can be adapted to 12V and 5V applications. Signal conditioning in the CoSyst-IPM is compliant to automotive standards. High and Low Side Drivers are available as output channels. The B6 power-output stage can also be used separately or as H-bridge for e.g. dc motor applications or as six separated High Current switches.

The communication to other electrical systems is possible using CAN and LIN.



The I/O can be extended through a connector bay with pluggable expansion boards. All free controller ports are available to be used for specific applications such as further bus connections.

The **Cosyst-SAAM** uses a plug with locking and is mounted in a housing suitable for vehicles.

The associated software package supplies an operating system, driver for the I/O channels and the bus systems. The application can be developed completely hardware independent by the decoupling of application and driver level by use of a hardware abstraction layer. The application software can easily be developed model based. The software package is configured by a PC based application (in development) and can therefore very fast be taken into operation.

The **Cosyst-SAAM** can serve thus as development platform for series production applications or as a small series or prototype electronic control unit.

Cosyst supports the customer as required with the development of user-specific soft or hardware from the specification phase to the start of series production.